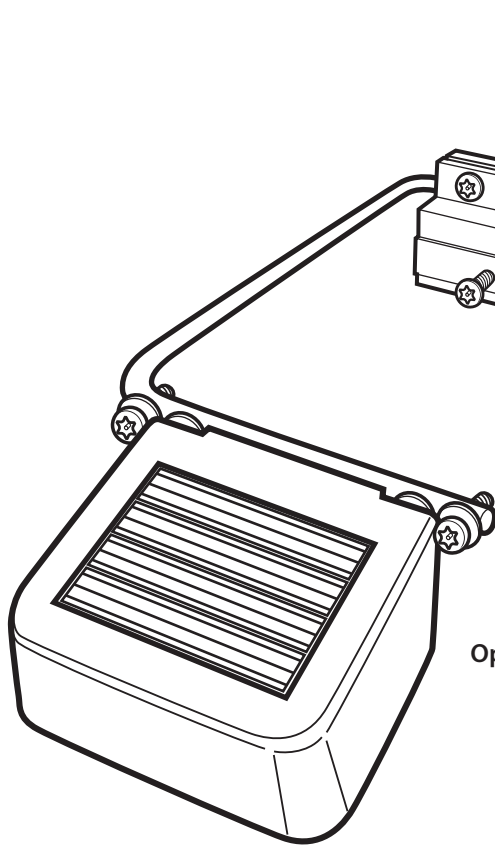


SOLAR REAL ESTATE SIGN LIGHTS

(MADE OF ANODIZED ALUMINUM ALLOY)

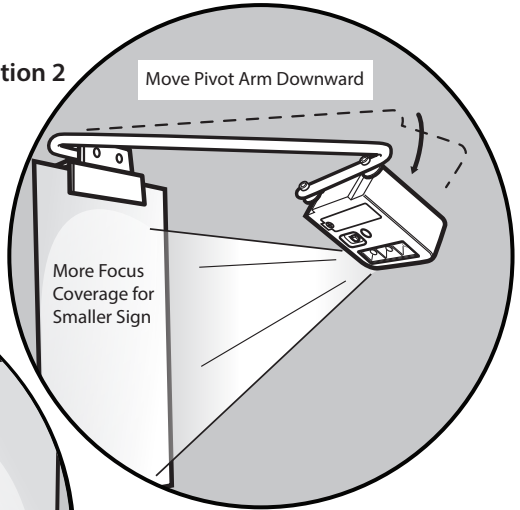


Adjustable Mounting Bracket
Fits Max. 1/2" (Thickness)
Real Estate Sign

Pivot Arm is Machined with
Angle Inward at 98° to Illuminate

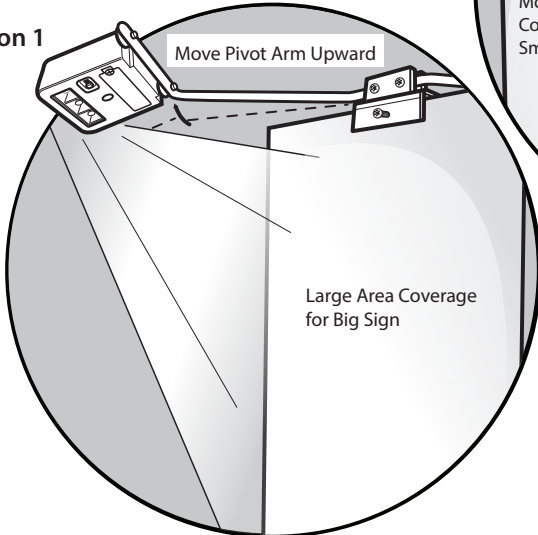
Option 2

Move Pivot Arm Downward



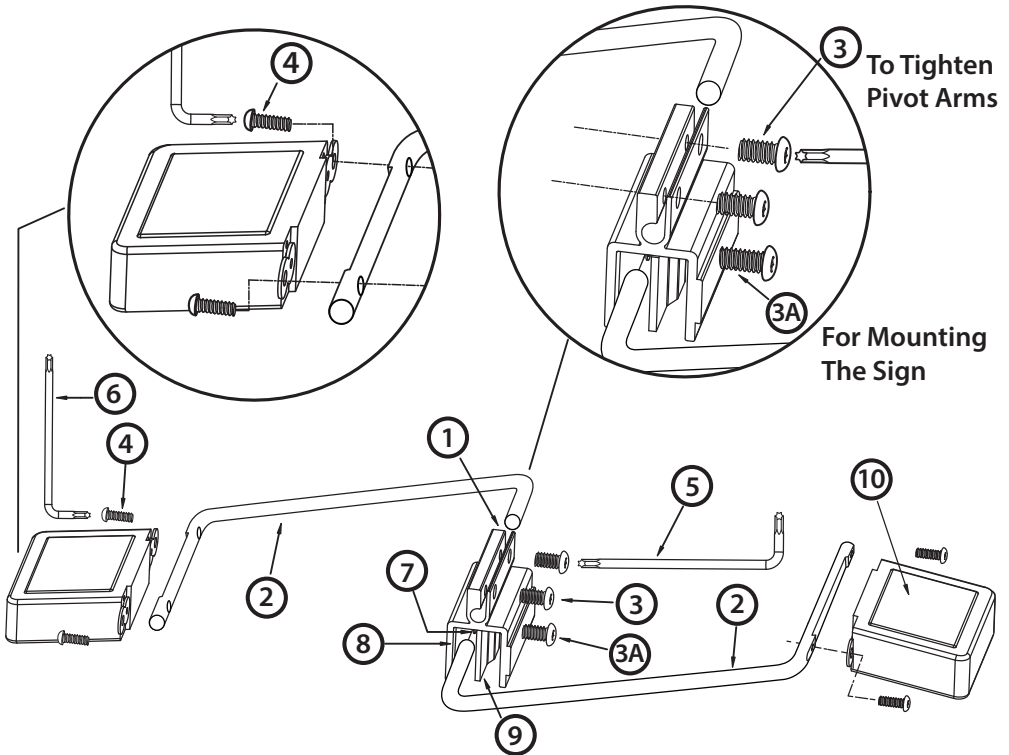
Option 1

Move Pivot Arm Upward



SOLAR REAL ESTATE SIGN LIGHTS

ASSEMBLY INSTRUCTIONS



Ref #	Part #	Description	Specification	Qty
1		Adjustable Mounting Bracket	Made of Anodized Aluminum Alloy; Fits Max.1/2" (thickness) Real Estate Sign	1
2		Pivot Arm	Made of Anodized Aluminum Alloy; LED Module is angled inward at 98° to illuminate	2
3		Tamper Proof Star Socket Button Bolt	M5 x 10 mm	2
3A		Tamper Proof Star Socket Button Bolt	M5 x 24 mm	1
4		Tamper Proof Star Socket Button Bolt	M3 x 10 mm	4
5		Tamper Proof (Security) Star L-Wrench	M5 x 72 mm	1
6		Tamper Proof (Security) Star L-Wrench	M3 x 96 mm	1
7		Circlip Retaining Ring	E-Clip	1
8		EVA Pad		1
9		Clamping Plate	7/8" x 1-7/8" x 2 mm	1
10		Solar Powered LED Module	Solar Panel: 0.14W; 17% efficiency LED type: White LED x 3; LED Power 0.18W Illuminance: 25 ~ 30 lux Charging Method: Solar Power Charging Time: 7 - 8 Hrs. Lighting Time: 8 - 10 Hrs once Fully Charged Battery: 1.2V x AAA NiMH 600 mA Housing: ABS + PS Sensor: Light Sensor Working Temp: -25°C to +65°C Module size: 60mmx 55mmx 20mm	2